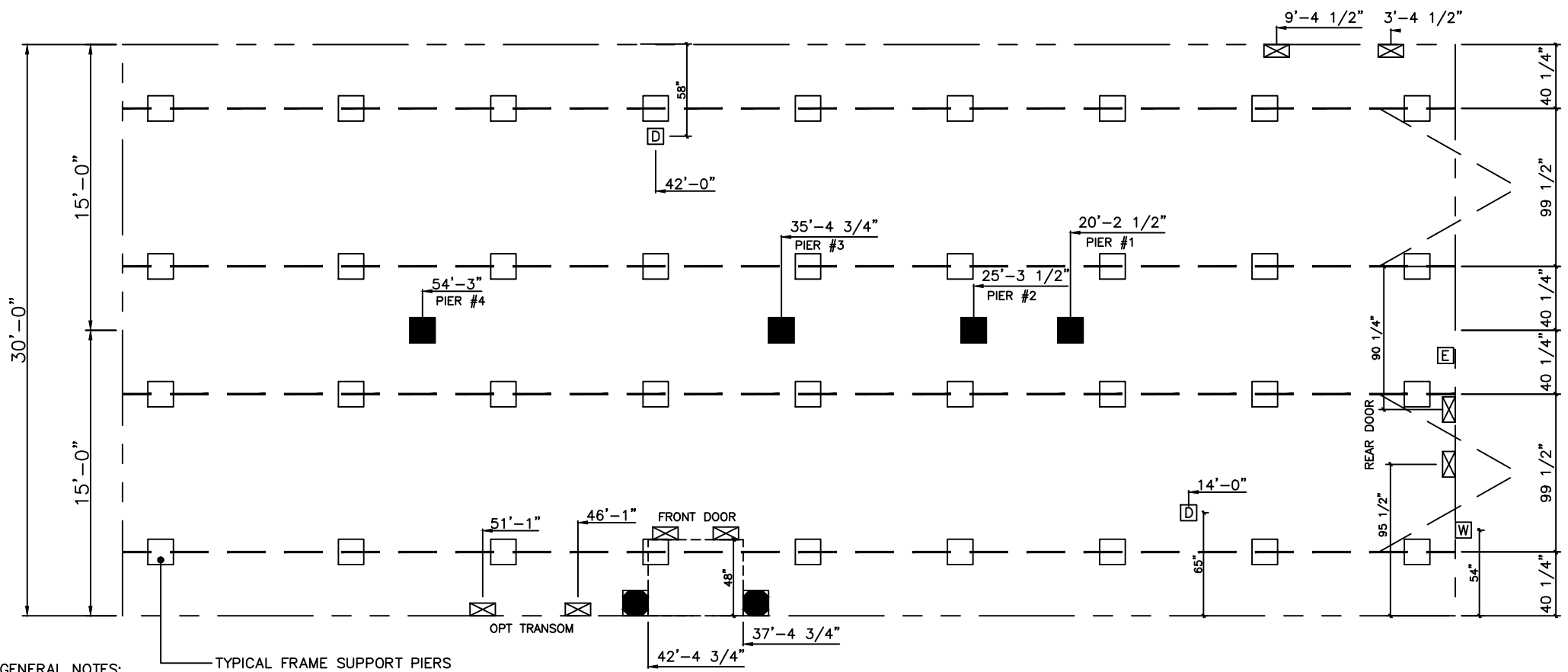


20 lb ROOF LOAD SIDEWALL OPENING PIER LOAD 10' BOX WIDTH	SIDEWALL OPENING (FT) REQUIRED PIER LOAD (LBS)					
	3	4	5	6	8	10
	1025	1150	1275	1400	1650	1900

PIER LOAD 20lb. ROOF LOAD		PIER LOAD 30lb. ROOF LOAD	
COLUMN PIER #	COLUMN LOAD (lbs)	COLUMN PIER #	COLUMN LOAD (lbs)
PIER # 1	1544	PIER # 1	3125
PIER # 2	1544	PIER # 2	3125
PIER # 3	4656	PIER # 3	7275
PIER # 4	4656	PIER # 4	7275

*FOR 30 lb & 40 lb ROOF LOAD REFER TO TABLES 7 & 7a IN THE INSTALLATION MANUAL.



- GENERAL NOTES:
- PIER LOADS SHOWN ARE TO BE USED TO SIZE THE FOOTINGS BELOW THE MARRIAGEWALL FOR COLUMN SUPPORT PIERS. REFER TO TABLES 6b AND 6c IN THE INSTALLATION MANUAL FOR LOAD ON FRAME PIER FOOTINGS FOR HOMES THAT DO NOT REQUIRE PERIMETER BLOCKING. REFER TO TABLES 7b AND 7c IN THE INSTALLATION MANUAL FOR LOAD ON FRAME PIER FOOTINGS THAT REQUIRE PERIMETER BLOCKING. REFER TO TABLES 10 AND 10a TO DETERMINE FOOTING SIZE FOR ALL PIERS.
 - REFER TO TABLE 9 FOR PIER CONFIGURATION AND MAXIMUM ALLOWABLE HEIGHTS. CROSS REFERENCE THE PIER HEIGHT WITH THE MAXIMUM ALLOWABLE FLOOR HEIGHT LISTED IN THE FRAME TIEDOWN CHARTS (TABLE 18, 19, AND 20).
 - FLOOR WIDTH SHOWN IS FOR STANDARD PRODUCT ONLY. CONTACT THE MFG PLANT FOR SPECIFICATIONS OF OPTIONS ORDERED.
 - SERVICE DROP LOCATIONS IDENTIFIED ARE APPROXIMATE.
 - THE MAXIMUM SPACING FOR FRAME SUPPORT PIERS FOR 8" I-BEAMS IS 8 FEET, 10" & 12" I-BEAMS ARE 10 FEET.

SERVICE DROP LEGEND	
[E]	= ELECTRICAL DROP
[W]	= WATER INLET
[D]	= DWV PLUMBING DROP
[G]	= GAS INLET

PIER LEGEND	
[□]	= SUPPORT UNDER MATING OPENING
[■]	= SUPPORT AT MATING COLUMN
[▨]	= SUPPORT UNDER MATING WALL
[■]	= PIER PORCH/RECESSED ENTRY
[□]	= PIER MAIN BEAM
[⊠]	= PIER PERIMETER
[●]	= TIE-DOWN SUPPORT

2100 SQ.FT. (STD PLAN "CONDITIONED")
2090 SQ.FT. (W/OPT. PORCH/RECESS "CONDITIONED")

CMH MANUFACTURING	Model #: 5MH32703A	Drawing #:
	Date: 2/13/13	Scale: NTS
Product Designer: R. Bruner		32' x 70' Schult Manor Hill
PIER LOADS		

PRINTED: 6/20/13 2:06 PM